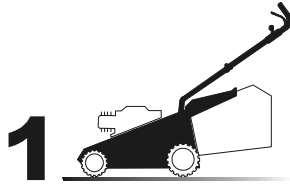
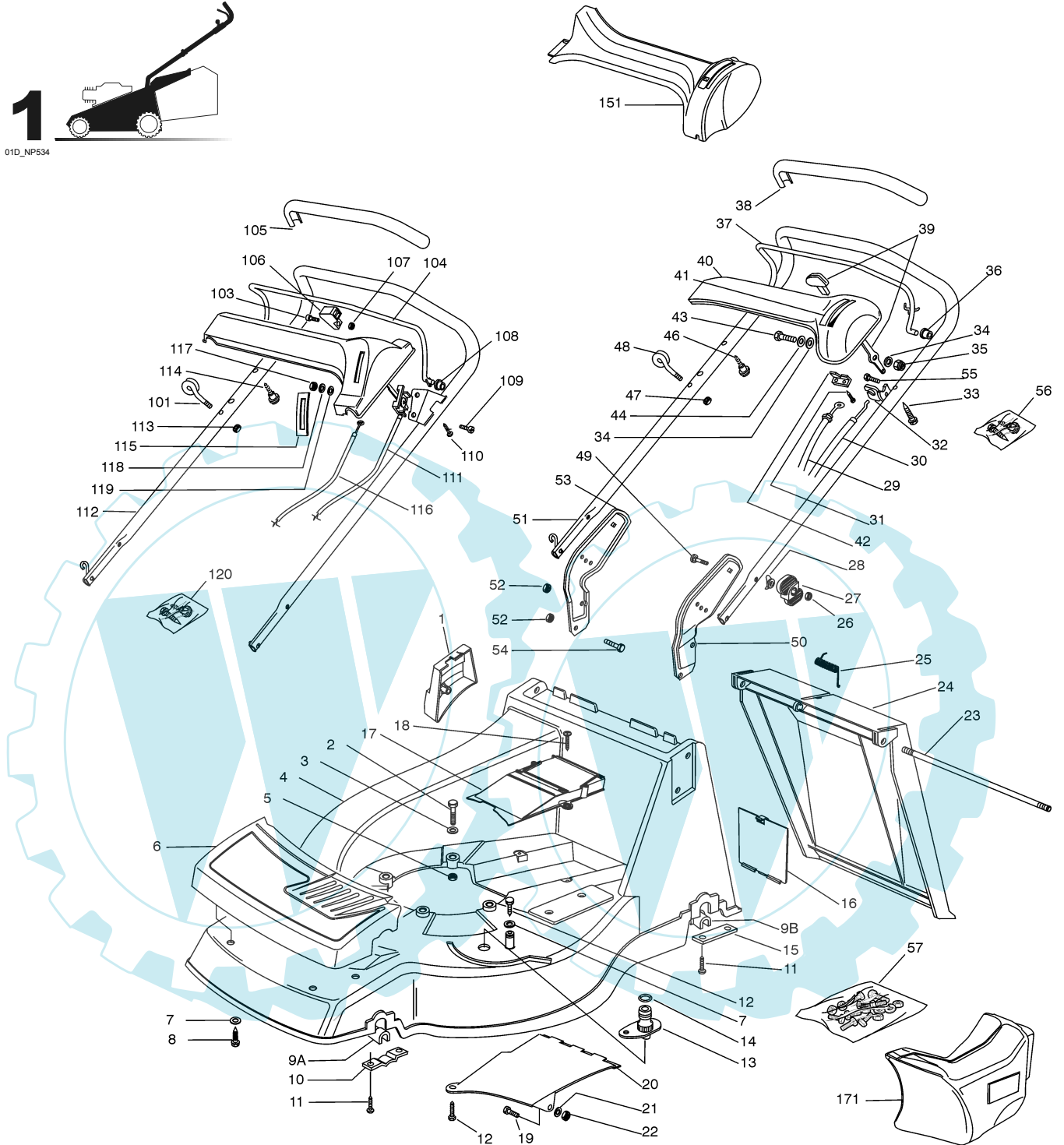


**GLOBAL GARDEN PRODUCTS**



01D\_NP534



01T.044

| Pos. | Code       | Q.ty | Descrizione    | Description | Description   | Beshreibung  | Remarks |
|------|------------|------|----------------|-------------|---------------|--------------|---------|
| 1    | 22601001/0 | 1    | PROTEZIONE     | PROTECTION  | PROTECTION    | SCHUTZ       |         |
| 2    | 12691800/0 | 3/2  | VITE           | SCREW       | VIS           | SCHRAUBE     |         |
| -    | 12692080/0 | 0/1  | VITE           | SCREW       | VIS           | SCHRAUBE     |         |
| 3    | 12521350/0 | 3    | ROSETTA        | WASHER      | RONDELLE      | SCHLEIBE     |         |
| 4    | 81001651/0 | 1    | CHASSIS ROSSO  | DECK RED    | CHÄSSIS ROUGE | GEHÄUSE ROT  |         |
| -    | 81001653/0 | 1    | CHASSIS GIALLO | DECK YELLOW | CHÄSSIS AUNE  | GEHÄUSE GELB |         |
| -    | 81001655/0 | 1    | CHASSIS VERDE  | DECK GREEN  | CHÄSSIS VERT  | GEHÄUSE GRÜN |         |
| 5    | 12155000/0 | 3    | DADO           | NUT         | ECROU         | MUTTER       |         |
| 6    | 22226050/0 | 1    | MASCHERINA     | MASK        | MESQUE        | MASKE        |         |
| 7    | 12523040/0 | 4    | ROSETTA        | WASHER      | RONDELLE      | SCHLEIBE     |         |
| 8    | 12735402/0 | 4    | VITE           | SCREW       | VIS           | SCHRAUBE     |         |



84

## GLOBAL GARDEN PRODUCTS

01T.044

| Pos. | Code       | Q.ty | Descrizione               | Description               | Description                  | Beshreibung          | Remarks    |
|------|------------|------|---------------------------|---------------------------|------------------------------|----------------------|------------|
| 9A   | 22038400/1 | 2    | BRONZINA                  | BRASS                     | DOUILLE                      | BUCHSE               |            |
| 9B   | 22038399/0 | 2    | BRONZINA                  | BRASS                     | DOUILLE                      | BUCHSE               |            |
| 10   | 22545156/0 | 2    | PIASTRINA                 | PLATE                     | PLAQUETTE                    | PLATTE               |            |
| 11   | 12731350/0 | 8    | VITE                      | SCREW                     | VIS                          | SCHRAUBE             |            |
| 12   | 12729600/0 | 1    | VITE                      | SCREW                     | VIS                          | SCHRAUBE             |            |
| 13   | 22034000/0 | 1    | ATTACCO ACQUA LAVAGGIO    | WASHING CONNECTION        | ATTAQUE LAVAGE               | WASCHENVERBINDUNG    |            |
| 14   | 19035000/0 | 1    | ANELLO OR                 | OR RING                   | BAGUE OR                     | RING OR              |            |
| 15   | 22545142/0 | 2    | PIASTRINA                 | PLATE                     | PLAQUETTE                    | PLATTE               |            |
| 16   | 22595352/0 | 1    | PORTINA CHIUSURA          | INSPECTION DOOR           | VOYANT DE VISITE             | ABDECKPLATTE         |            |
| 17   | 22060200/0 | 1    | CARTER CINGHIA            | PROTECTION, BELT          | PROTECTION COURROIRE         | SCHUTZ, RIEMEN       |            |
| 18   | 12728522/0 | 2    | VITE                      | SCREW                     | VIS                          | SCHRAUBE             |            |
| 19   | 12789000/0 | 1    | VITE                      | SCREW                     | VIS                          | SCHRAUBE             |            |
| 20   | 22108205/0 | 1    | CONVOGLIATORE             | CONVEYOR                  | CONVOYEUR                    | KONVEYOR             |            |
| 21   | 12523020/0 | 1    | ROSETTA                   | WASHER                    | RONDELLE                     | SCHEIBE              |            |
| 22   | 12154330/0 | 1    | DADO                      | NUT                       | ECROU                        | MUTTER               |            |
| 23   | 22517856/0 | 1    | PERNO                     | PIN                       | PIVOT                        | BOLZEN               |            |
| 24   | 22600023/2 | 1    | PARASASSI                 | STONE-GUARD               | PARE-PIERRES                 | PRALLBLECH           |            |
| 25   | 22450270/0 | 1    | MOLLA                     | SPRING                    | RESSORT                      | FEDER                |            |
| 26   | 12293200/0 | 2    | DADO                      | NUT                       | ECROU                        | MUTTER               |            |
| 27   | 22399803/0 | 2    | MANOPOLINA                | KNOB                      | POIGNÉE                      | GRIFF                |            |
| 28   | 22680006/1 | 2    | ROSETTA                   | WASHER                    | RONDELLE                     | SCHEIBE              |            |
| 29   | 81000634/0 | 1    | CAVO FRENO MOTORE         | CABLE, THREAD MOTOR BRAKE | CABLE FREIN MOTEUR           | KABEL, MOTORBREMSE   | (B&S)      |
| -    | 81000641/0 | 1    | CAVO FRENO MOTORE         | CABLE, THREAD MOTOR BRAKE | CABLE FREIN MOTEUR           | KABEL, MOTORBREMSE   | (HONDA)    |
| -    | 81000629/1 | 1    | CAVO FRENO MOTORE         | CABLE, THREAD MOTOR BRAKE | CABLE FREIN MOTEUR           | KABEL, MOTORBREMSE   | (TECUMSEH) |
| 30   | 81007160/0 | 1    | CAVO ACCELERATORE         | CABLE, TROTTLE            | CABLE, ACCELERATEUR          | KABLE, BESCHLEUNIGER |            |
| 31   | 12735105/0 | 2    | VITE                      | SCREW                     | VIS                          | SCHRAUBE             |            |
| 32   | 22806612/0 | 1    | SUPPORTO                  | SUPPORT                   | SUPPORT                      | HALTER               |            |
| 33   | 12728460/0 | 1    | VITE                      | SCREW                     | VIS                          | SCHRAUBE             |            |
| 34   | 12523040/0 | 2    | ROSETTA                   | WASHER                    | RONDELLE                     | SCHEIBE              |            |
| 35   | 12154510/0 | 1    | DADO                      | NUT                       | ECROU                        | MUTTER               |            |
| 36   | 22041966/0 | 2    | BUSSOLA                   | BUSH                      | DOUILLE                      | BUCHSE               |            |
| 37   | 81003291/2 | 1    | LEVA FRENO MOTORE         | LEVER, MOTOR BRAKE        | LEVIER FREIN MOTEUR          | HEBEL, MOTORBREMSE   |            |
| 38   | 22291050/0 | 1    | IMPUGNATURA MANICO NERA   | HANDGRIP BLACK            | POIGNÉE NOIRE                | HANDGRIFF SCHWARZER  |            |
| -    | 22291051/0 | 1    | IMPUGNATURA MANICO ROSSA  | HANDGRIP RED              | POIGNÉE ROUGE                | HANDGRIFF RÖTER      |            |
| -    | 22291052/0 | 1    | IMPUGNATURA MANICO GIALLA | HANDGRIP YELLOW           | POIGNÉE JAUNE                | HANDGRIFF GELBER     |            |
| 39   | 81007280/2 | 1    | LEVA, ACCELERATORE        | LEVER, THROTTLE           | LEVIER, ACCELERATEUR         | HEBEL, BESHLEUNIGER  |            |
| 40   | 22120152/0 | 1    | CRUSCOTTO GIALLO          | DASH BOARD YELLOW         | CONSOLE JAUNE                | KONSOLE GELBE        |            |
| -    | 22120154/0 | 1    | CRUSCOTTO ROSSO           | DASH BOARD RED            | CONSOLE ROUGE                | KONSOLE ROTE         |            |
| -    | 22120158/0 | 1    | CRUSCOTTO NERO            | DASH BOARD BLACK          | CONSOLE NOIRE                | KONSOLE SCHWARZE     |            |
| 41   | 14356744/0 | 1    | ETICHETTA                 | LABEL                     | ETIQUETTE                    | ETIKETTE             | (B&S)      |
| -    | 14356743/0 | 1    | ETICHETTA                 | LABEL                     | ETIQUETTE                    | ETIKETTE             | (HONDA)    |
| -    | 14357646/0 | 1    | ETICHETTA                 | LABEL                     | ETIQUETTE                    | ETIKETTE             | (TECUMSEH) |
| 42   | 22981467/0 | 1    | PIASTRINA                 | PLATE                     | PLAQUETTE                    | PLATTE               |            |
| 43   | 12791500/0 | 1    | VITE                      | SCREW                     | VIS                          | SCHRAUBE             |            |
| 44   | 12530060/0 | 1    | ROSETTA ELASTICA          | ELASTIC WASHER            | RONDELLE ELASTIQUE           | ELASTISCHE SCHEIBE   |            |
| 46   | 22943006/0 | 1    | VITE                      | SCREW                     | VIS                          | SCHRAUBE             |            |
| 47   | 12154330/0 | 1    | DADO                      | NUT                       | ECROU                        | MUTTER               |            |
| 48   | 22430309/0 | 1    | MOLLA GUIDA               | GUIDE SPRING              | RESSORT DE GUIDE             | FEDER FÜHRER         |            |
| 49   | 12819120/0 | 2    | VITE                      | SCREW                     | VIS                          | SCHRAUBE             |            |
| 50   | 22778397/0 | 1    | STAFFA SX                 | BRACKET, L                | BRIDE G                      | PRATZE, LINKE        |            |
| 51   | 81006859/0 | 1    | MANICO, PARTE SUP         | HANDLE, UPPER PART        | MANCHERON, PARTIE SUPERIEURE | HOLM, OBERTEIL       |            |
| 52   | 12155000/0 | 4    | DADO                      | NUT                       | ECROU                        | MUTTER               |            |
| 53   | 22778396/0 | 1    | STAFFA DX                 | BRACKET, R                | BRIDE D                      | PRATZE, RECHTE       |            |



## GLOBAL GARDEN PRODUCTS

01T.044

| Pos. | Code       | Q.ty | Descrizione                 | Description               | Description                | Beshreibung             | Remarks |
|------|------------|------|-----------------------------|---------------------------|----------------------------|-------------------------|---------|
| 54   | 12793301/0 | 2    | VITE                        | SCREW                     | VIS                        | SCHRAUBE                |         |
| 55   | 12728518/0 | 1    | VITE                        | SCREW                     | VIS                        | SCHRAUBE                |         |
| 56   | 81008609/0 | 1    | DOTAZIONE VITERIA CRUSCOTTO | OUTFIT, DASH-BOARD SCREWS | DOTATION VISSERIE CONSOLLE | SATZ, KONSOLE SCHRAUBEN |         |
| 57   | 81008610/0 | 1    | DOTAZIONE VITERIA           | OUTFIT, SCREWS            | DOTATION VISSERIE          | SATZ, SCHRAUBEN         |         |

## VARIANTE MANICO - HANDLE MODIFICATION - MODIFICATION POIGNEE - ÄNDERUNGEN GRIFFENSTEEL

01T.045

| Pos. | Code       | Q.ty | Descrizione                 | Description               | Description                  | Beshreibung             | Remarks            |
|------|------------|------|-----------------------------|---------------------------|------------------------------|-------------------------|--------------------|
| 101  | 22430309/0 | 1    | MOLLA GUIDA                 | GUIDE SPRING              | RESSORT DE GUIDE             | FEDER FÜHRER            |                    |
| 102  | 22120148/0 | 1    | CRUSCOTTO GIALLO            | DASH BOARD YELLOW         | CONSOLE JAUNE                | KONSOLE GELBE           |                    |
| -    | 22120150/0 | 1    | CRUSCOTTO ROSSO             | DASH BOARD RED            | CONSOLE ROUGE                | KONSOLE ROTE            |                    |
| -    | 22120164/0 | 1    | CRUSCOTTO NERO              | DASH BOARD BLACK          | CONSOLE NOIRE                | KONSOLE SCHWARZE        |                    |
| 103  | 12726388/0 | 1    | VITE                        | SCREW                     | VIS                          | SCHRAUBE                |                    |
| 104  | 81003291/2 | 1    | LEVA FRENO MOTORE           | LEVER, MOTOR BRAKE        | LEVIER FREIN MOTEUR          | HEBEL, MOTORBREMSE      |                    |
| 105  | 22291050/0 | 1    | IMPUGNATURA MANICO NERA     | HANDGRIP BLACK            | POIGNÉE NOIRE                | HANDGRIFF SCHWARZER     |                    |
| -    | 22291051/0 | 1    | IMPUGNATURA MANICO ROSSA    | HANDGRIP RED              | POIGNÉE ROUGE                | HANDGRIFF RÖTER         |                    |
| -    | 22291052/0 | 1    | IMPUGNATURA MANICO GIALLA   | HANDGRIP YELLOW           | POIGNÉE JAUNE                | HANDGRIFF GELBER        |                    |
| 106  | 22399801/0 | 1    | MANOPOLINA                  | KNOB                      | POIGNÉE                      | GRIFF                   |                    |
| 107  | 12290800/0 | 1    | DADO                        | NUT                       | ECROU                        | MUTTER                  |                    |
| 108  | 22041966/0 | 2    | BUSSOLA                     | BUSH                      | DOUILLE                      | BUCHSE                  |                    |
| 109  | 12523020/0 | 2    | ROSETTA                     | WASHER                    | RONDELLE                     | SCHEIBE                 |                    |
| 110  | 12728460/0 | 1    | VITE                        | SCREW                     | VIS                          | SCHRAUBE                |                    |
| 111  | 81007091/0 | 1    | CAVO ACCELERATORE           | CABLE, TROTTLE            | CABLE, ACCELERATEUR          | KABLE, BESCHLEUNIGER    | (B&S)              |
| -    | 81007092/0 | 1    | CAVO ACCELERATORE           | CABLE, TROTTLE            | CABLE, ACCELERATEUR          | KABLE, BESCHLEUNIGER    | (HONDA - TECUMSEH) |
| 112  | 81007022/1 | 1    | MANICO, PARTE SUP           | HANDLE, UPPER PART        | MANCHERON, PARTIE SUPERIEURE | HOLM, OBERTEIL          |                    |
| 113  | 12154330/0 | 1    | DADO                        | NUT                       | ECROU                        | MUTTER                  |                    |
| 114  | 22943006/0 | 1    | VITE                        | SCREW                     | VIS                          | SCHRAUBE                |                    |
| 115  | 14356693/0 | 1    | ETICHETTA                   | LABEL                     | ETIQUETTE                    | ETIKETTE                | (B&S)              |
| -    | 14356692/0 | 1    | ETICHETTA                   | LABEL                     | ETIQUETTE                    | ETIKETTE                | (HONDA)            |
| -    | 14357387/0 | 1    | ETICHETTA                   | LABEL                     | ETIQUETTE                    | ETIKETTE                | (TECUMSEH)         |
| 116  | 81000634/0 | 1    | CAVO FRENO MOTORE           | CABLE, THREAD MOTOR BRAKE | CABLE FREIN MOTEUR           | KABEL, MOTORBREMSE      | (B&S)              |
| -    | 81000628/0 | 1    | CAVO FRENO MOTORE           | CABLE, THREAD MOTOR BRAKE | CABLE FREIN MOTEUR           | KABEL, MOTORBREMSE      | (HONDA)            |
| -    | 81000629/1 | 1    | CAVO FRENO MOTORE           | CABLE, THREAD MOTOR BRAKE | CABLE FREIN MOTEUR           | KABEL, MOTORBREMSE      | (TECUMSEH)         |
| 117  | 12291000/0 | 2    | DADO                        | NUT                       | ECROU                        | MUTTER                  |                    |
| 118  | 12581500/0 | 2    | GROWER                      | GROWER                    | GROWER                       | FEDERRING               |                    |
| 119  | 12523020/0 | 2    | ROSETTA                     | WASHER                    | RONDELLE                     | SCHEIBE                 |                    |
| 120  | 81008499/1 | 1    | DOTAZIONE VITERIA CRUSCOTTO | OUTFIT, DASH-BOARD SCREWS | DOTATION VISSERIE CONSOLLE   | SATZ, KONSOLE SCHRAUBEN |                    |

## VARIANTE CRUSCOTTO - DASH BOARD MODIFICATION - MODIFICATION CONSOLE - ÄNDERUNGEN KONSOLE

01T.046

| Pos. | Code       | Q.ty | Descrizione      | Description       | Description   | Beshreibung      | Remarks |
|------|------------|------|------------------|-------------------|---------------|------------------|---------|
| 151  | 22120172/0 | 1    | CRUSCOTTO NERO   | DASH BOARD BLACK  | CONSOLE NOIRE | KONSOLE SCHWARZE |         |
| -    | 22120173/0 | 1    | CRUSCOTTO ROSSO  | DASH BOARD RED    | CONSOLE ROUGE | KONSOLE ROTE     |         |
| -    | 22120174/0 | 1    | CRUSCOTTO GIALLO | DASH BOARD YELLOW | CONSOLE JAUNE | KONSOLE GELBE    |         |

## VARIANTE MULCHING - MULCHING MODIFICATION - MODIFICATION MULCHING - ÄNDERUNGEN MULCHING

01T.044

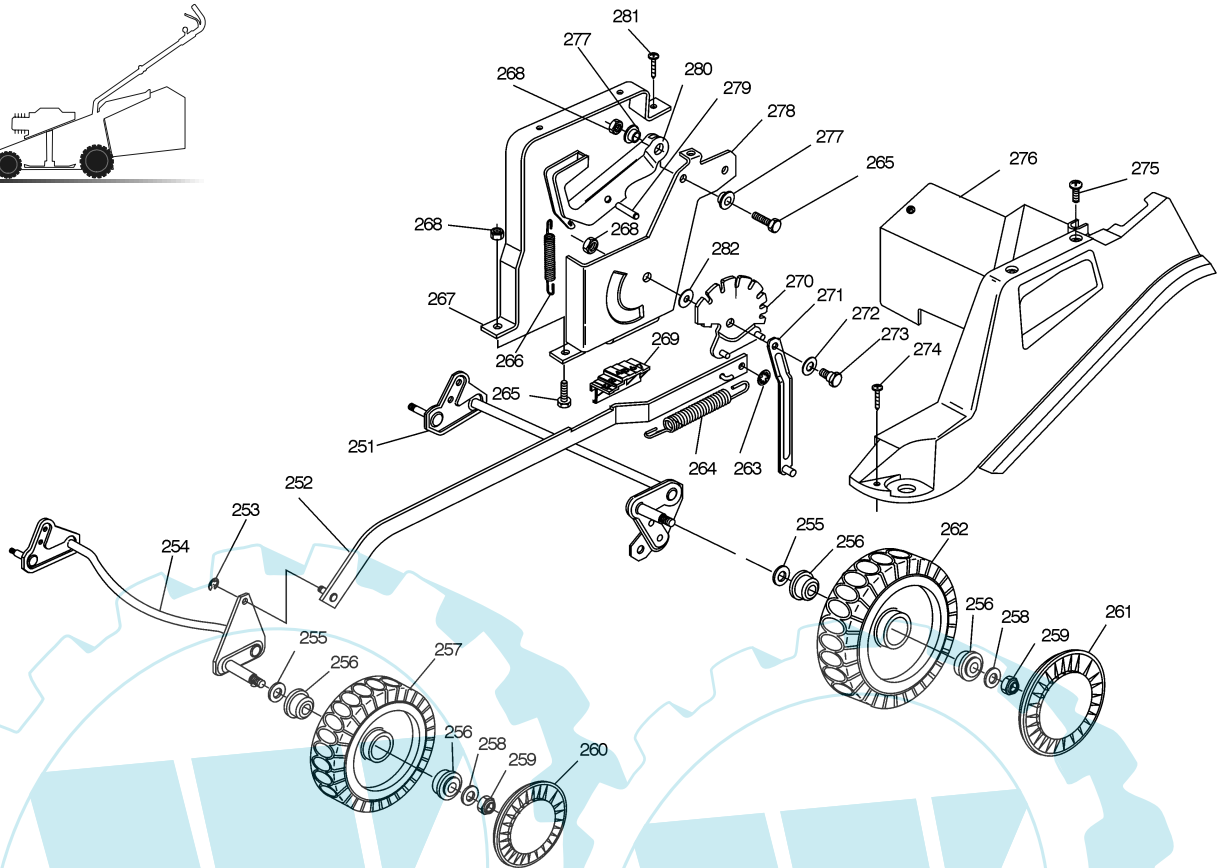
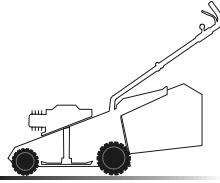
| Pos. | Code       | Q.ty | Descrizione | Description | Description | Beshreibung  | Remarks |
|------|------------|------|-------------|-------------|-------------|--------------|---------|
| 171  | 22140224/0 | 1    | TAPPO       | CAP         | BOUCHON     | GUMMISTOPFEN |         |



GLOBAL GARDEN PRODUCTS

2

02D\_020



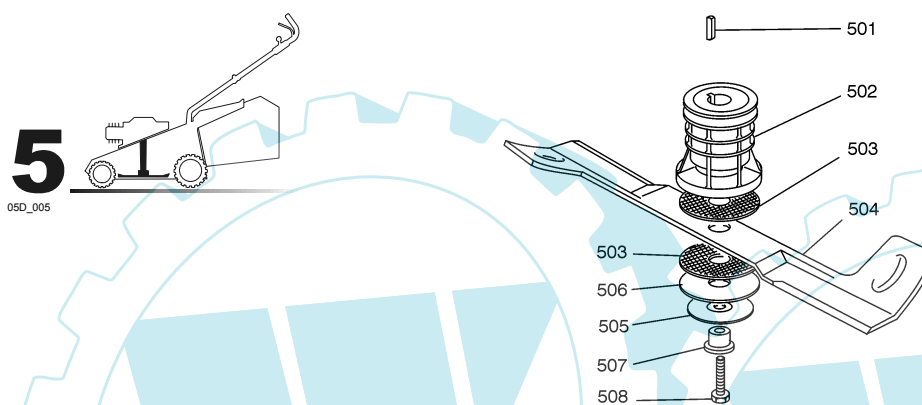
02T\_026

| Pos. | Code       | Q.ty | Descrizione                 | Description                    | Description                   | Beschreibung            | Remarks             |
|------|------------|------|-----------------------------|--------------------------------|-------------------------------|-------------------------|---------------------|
| 251  | 81002804/1 | 1    | ASSE RUOTE POSTERIORE       | AXLE, REAR WHEELS              | AXE ROUES ARRIERE             | ACHSE, HINTERRAD        |                     |
| 252  | 81001134/0 | 1    | ASTA COMANDO REGOL. ALTEZZA | ROD, HEIGHT ADJUSTMENT CONTROL | TIGE COMMANDE REGLAGE HAUTEUR | STANGE, HÖHEVERSTELLUNG |                     |
| -    | 81001136/0 | 1    | ASTA COMANDO REGOL. ALTEZZA | ROD, HEIGHT ADJUSTMENT CONTROL | TIGE COMMANDE REGLAGE HAUTEUR | STANGE, HÖHEVERSTELLUNG | (HONDA GCV 135/160) |
| 253  | 12000930/0 | 2    | ANELLO ELASTICO             | SNAP RING                      | ANNEAU RESSORT                | SPRENGRING              |                     |
| 254  | 81002801/1 | 1    | ASSE RUOTE ANTERIORE        | AXLE, FRONT WHEELS             | AXE ROUES AVANT               | ACHSE, VORDERRAD        |                     |
| 255  | 12530150/0 | 4    | ROSETTA ELASTICA            | ELASTIC WASHER                 | RONDELLE ELASTIQUE            | ELASTISCHE SCHEIBE      |                     |
| 256  | 22122200/0 | 8    | CUSCINETTO                  | BEARING                        | COUSSINET                     | LAGER                   |                     |
| 257  | 81007317/0 | 2    | RUOTA Ø 170                 | WHEEL Ø 170                    | ROUE Ø 170                    | RAD. Ø 170              |                     |
| 258  | 12521350/0 | 4    | ROSETTA                     | WASHER                         | RONDELLE                      | SCHEIBE                 |                     |
| 259  | 12155000/0 | 4    | DADO                        | NUT                            | ECROU                         | MUTTER                  |                     |
| 260  | 22110282/0 | 2    | COPRIMOZZO BIANCO           | HUB CAP WHITE                  | COUVRE-MOYEU BLANC            | RADKAPPE WEIßE          |                     |
| -    | 22110288/0 | 2    | COPRIMOZZO GIALLO           | HUB CAP YELLOW                 | COUVRE-MOYEU JAUNE            | RADKAPPE GELBE          |                     |
| -    | 22110290/0 | 2    | COPRIMOZZO ROSSO            | HUB CAP RED                    | COUVRE-MOYEU ROUGE            | RADKAPPE ROTE           |                     |
| 261  | 22110281/0 | 2    | COPRIMOZZO BIANCO           | HUB CAP WHITE                  | COUVRE-MOYEU BLANC            | RADKAPPE WEIßE          |                     |
| -    | 22110287/0 | 2    | COPRIMOZZO GIALLO           | HUB CAP YELLOW                 | COUVRE-MOYEU JAUNE            | RADKAPPE GELBE          |                     |
| -    | 22110289/0 | 2    | COPRIMOZZO ROSSO            | HUB CAP RED                    | COUVRE-MOYEU ROUGE            | RADKAPPE ROTE           |                     |
| 262  | 81007318/1 | 2    | RUOTA Ø 210                 | WHEEL Ø 210                    | ROUE Ø 210                    | RAD. Ø 210              |                     |
| 263  | 12604899/0 | 2    | FISSATORE A CORONA          | CROWN FASTENER                 | FIXATEUR A COURONNE           | KRONESCHEIBE            |                     |
| 264  | 22446180/0 | 1    | MOLLA                       | SPRING                         | RESSORT                       | FEDER                   |                     |
| 265  | 12793301/0 | 3    | VITE                        | SCREW                          | VIS                           | SCHRAUBE                |                     |
| 266  | 22446175/0 | 1    | MOLLA                       | SPRING                         | RESSORT                       | FEDER                   |                     |
| 267  | 22785113/0 | 1    | SUPPORTO MANIGLIA           | SUPPORT, HANDLE                | SUPPORT POIGNÉE               | HALTER, GRIFF           |                     |
| 268  | 12293201/0 | 4    | DADO                        | NUT                            | ECROU                         | MUTTER                  |                     |
| 269  | 22570200/0 | 1    | PLACCHETTA POSIZIONI        | PLATE, CUTTING POSITIONS       | PLAQUETTE REGLAGE             | PLATTE, HÖHEVERSTELLUNG |                     |
| 270  | 81000479/0 | 1    | SETTORE DI REGOLAZIONE      | SECTOR, HEIGHT ADJUSTMENT      | SECTEUR REGLAGE               | SEKTOR, HÖHEVERSTELLUNG |                     |
| 271  | 81001269/0 | 1    | ASTA ASSE POSTERIORE        | ROD, REAR WHEELS AXLE          | TIGE, AXE ROUE ARRIERES       | STANGE, HINTERRADACHSE  |                     |
| 272  | 22672151/0 | 1    | ROSETTA                     | WASHER                         | RONDELLE                      | SCHEIBE                 |                     |

## GLOBAL GARDEN PRODUCTS

02T.028

| Pos. | Code       | Q.ty | Descrizione                  | Description                | Description     | Beshreibung             | Remarks |
|------|------------|------|------------------------------|----------------------------|-----------------|-------------------------|---------|
| 273  | 22529662/0 | 1    | PERNO FULCRO                 | FULCRUM PIN                | PIVOT           | BOLZEN                  |         |
| 274  | 12728519/0 | 3    | VITE                         | SCREW                      | VIS             | SCHRAUBE                |         |
| 275  | 12728520/0 | 1    | VITE                         | SCREW                      | VIS             | SCHRAUBE                |         |
| 276  | 22060144/1 | 1    | CARTER REGOLAZIONE           | DECK, ADJUSTMENT           | CHÂSSIS REGLAGE | GEHÄUSE VERSTELLUNG     |         |
| 277  | 25038002/1 | 2    | BUSSOLA                      | BUSH                       | DOUILLE         | BUCHSE                  |         |
| 278  | 22785109/0 | 1    | SUPPORTO REGOLAZIONE ALTEZZA | SUPPORT, HEIGHT ADJUSTMENT | SUPPORT REGLAGE | HALTER, HÖHEVERSTELLUNG |         |
| 279  | 12622640/0 | 1    | SPINA                        | PIN                        | GOUILLE         | STIFT                   |         |
| 280  | 22393611/1 | 1    | MANIGLIA                     | HANDLE                     | POIGNÉE         | GRIFF                   |         |
| 281  | 12729600/0 | 1    | VITE                         | SCREW                      | VIS             | SCHRAUBE                |         |
| 282  | 22672152/0 | 1    | ROSETTA                      | WASHER                     | RONDELLE        | SCHLEIBE                |         |



05T.020

| Pos. | Code       | Q.ty | Descrizione       | Description   | Description       | Beshreibung       | Remarks |
|------|------------|------|-------------------|---------------|-------------------|-------------------|---------|
| 501  | 12139100/0 | 1    | LINGUETTA         | FEATHER       | CLAVETTE          | KEIL              |         |
| 502  | 22465611/0 | 1    | MOZZO             | HUB           | MOYEU             | HALTER            |         |
| 503  | 22672110/1 | 2    | RONDELLA FRIZIONE | CLUTCH WASHER | RONDELLE FRICTION | KUPPLUNGSCHLEIBE  |         |
| 504  | 81004398/0 | 1    | COLTELLO ALETTATO | BLADE WINGED  | LAME AILETTÉE     | MESSER FLÜGEL     |         |
| 505  | 12508120/0 | 1    | MOLLA A TAZZA     | CUPPED SPRING | RESSORT           | TELLER FEDER      |         |
| 506  | 22672105/0 | 1    | ROSETTA           | WASHER        | RONDELLE          | SCHLEIBE          |         |
| 507  | 22041940/0 | 1    | BUSSOLA FRIZIONE  | CLUTCH BUSH   | DOUILLE FRICTION  | KUPPLUNGSSCHLEIBE |         |
| 508  | 12736850/0 | 1    | VITE              | SCREW         | VIS               | SCHRAUBE          |         |

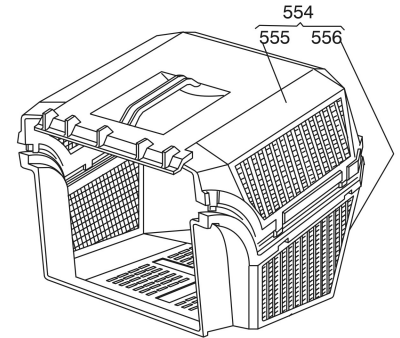
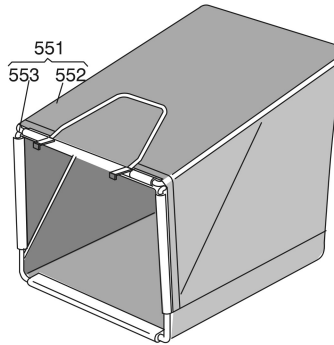
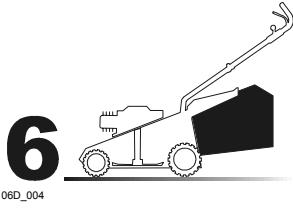


## VARIANTE MULCHING - MULCHING MODIFICATION - MODIFICATION MULCHING - ÄNDERUNGEN MULCHING

05T.024

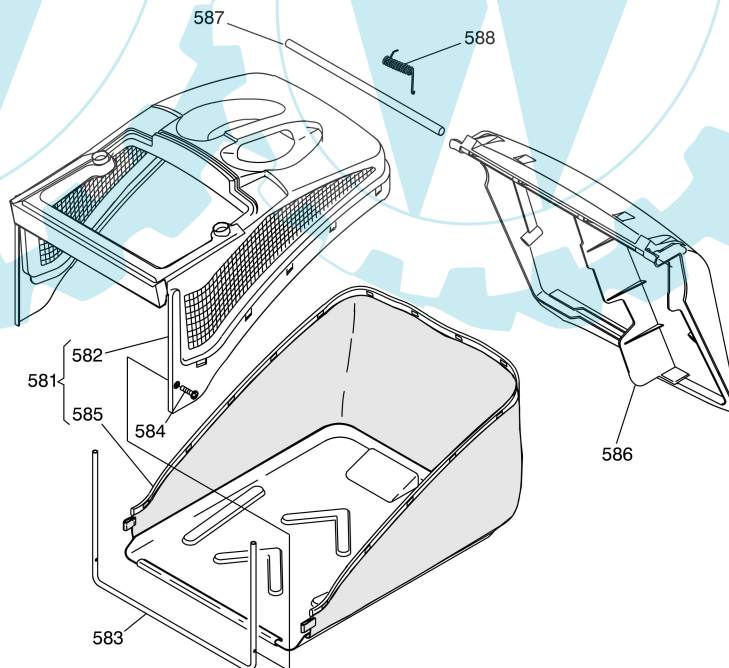
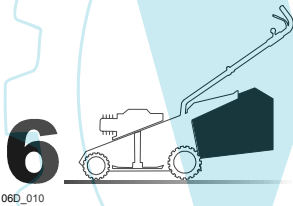
| Pos. | Code       | Q.ty | Descrizione       | Description    | Description        | Beshreibung         | Remarks |
|------|------------|------|-------------------|----------------|--------------------|---------------------|---------|
| 531  | 22463012/1 | 1    | MOZZO             | HUB            | MOYEU              | HALTER              |         |
| 532  | 81004381/1 | 1    | COLTELLO STANDARD | BLADE STANDARD | LAME STANDARD      | MESSER STANDARD     |         |
| 533  | 22160400/0 | 1    | DISCO ELASTICO    | ELASTIC WASHER | RONDELLE ELASTIQUE | ELASTISCHE SCHLEIBE |         |
| 534  | 12523080/0 | 1    | ROSETTA           | WASHER         | RONDELLE           | SCHLEIBE            |         |
| 535  | 12735698/0 | 1    | VITE              | SCREW          | VIS                | SCHRAUBE            |         |
| 536  | 12139100/0 | 1    | LINGUETTA         | FEATHER        | CLAVETTE           | KEIL                |         |

**GLOBAL GARDEN PRODUCTS**



06T.005

| Pos. | Code       | Q.ty | Descrizione             | Description                    | Description            | Beshreibung     | Remarks |
|------|------------|------|-------------------------|--------------------------------|------------------------|-----------------|---------|
| 551  | 96400000/0 | 1    | SACCO IN TELA, COMPLETO | GRASSCATCHER, CANVASS COMPLETE | SAC EN TOILE, COMPLETE | SACK, KOMPLETTE |         |
| 552  | 81002124/1 | 1    | SACCO, TELA             | BOX, FABRIC                    | SAC, TOILE             | SACK, TUCK      |         |
| 553  | 81006430/0 | 1    | TELAIO SACCO            | CHASSIS BOX                    | CHÂSSIS BAC            | RAHMEN SACK     |         |
| 554  | 96500000/0 | 1    | SACCO, COMPLETO         | GRASSCATCHER, COMPLETE         | SAC, COMPLETE          | SACK, KOMPLETTE |         |
| 555  | 22486065/0 | 1    | SACCO, PARTE SUP        | GRASS-BOX, UPPER PART          | SAC, PARTIE SUPERIEURE | KORB, OBERTEIL  |         |
| 556  | 22486064/0 | 1    | SACCO, PARTE INF        | GRASS-BOX, LOWER PART          | SAC, PARTIE INFERIEURE | KORB, UNTERTEIL |         |



06T.006

| Pos. | Code       | Q.ty | Descrizione      | Description           | Description            | Beshreibung        | Remarks |
|------|------------|------|------------------|-----------------------|------------------------|--------------------|---------|
| 581  | 92140000/1 | 1    | SACCO COMPLETO   | GRASS-BOX, COMPLETE   | BAC COMPLET            | KORB, KOMPLETTE    |         |
| 582  | 22486094/0 | 1    | SACCO, PARTE SUP | GRASS-BOX, UPPER PART | SAC, PARTIE SUPERIEURE | KORB, OBERTEIL     |         |
| 583  | 22608524/0 | 1    | RINFORZO INF     | STIFFENING LOWER      | RÉNFORCEMENT INF       | VERSTÄRKUNG UNTERE |         |
| 584  | 12728445/0 | 2    | VITE             | SCREW                 | VIS                    | SCHRAUBE           |         |
| 585  | 81002196/0 | 1    | SACCO, TELA      | BOX, FABRIC           | SAC, TOILE             | SACK, TUCK         |         |

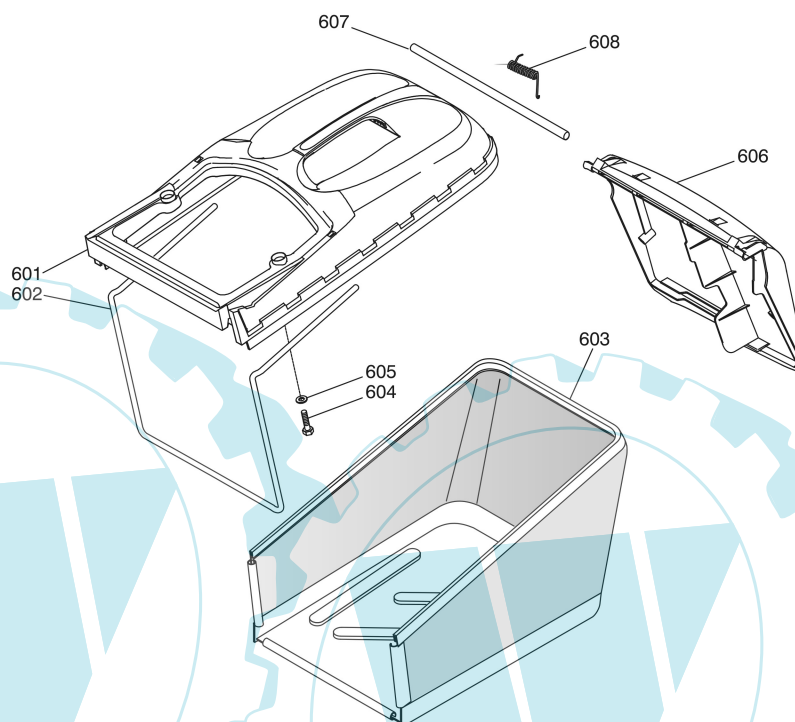
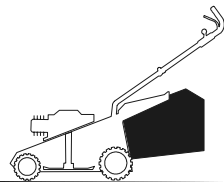
## GLOBAL GARDEN PRODUCTS

06T.006

| Pos. | Code       | Q.ty | Descrizione | Description | Description  | Beschreibung | Remarks |
|------|------------|------|-------------|-------------|--------------|--------------|---------|
| 586  | 22600066/2 | 1    | PARASASSI   | STONE-GUARD | PARE-PIERRES | PRALLBLECH   |         |
| 587  | 22517856/0 | 1    | PERNO       | PIN         | PIVOT        | BOLZEN       |         |
| 588  | 22451000/0 | 1    | MOLLA       | SPRING      | RESSORT      | FEDER        |         |

6

06D\_011



06T.011

| Pos. | Code       | Q.ty | Descrizione      | Description           | Description            | Beschreibung       | Remarks |
|------|------------|------|------------------|-----------------------|------------------------|--------------------|---------|
| 601  | 22486102/0 | 1    | SACCO, PARTE SUP | GRASS-BOX, UPPER PART | SAC, PARTIE SUPERIEURE | KORB, OBERTEIL     |         |
| 602  | 22608526/0 | 1    | RINFORZO INF     | STIFFENING LOWER      | RÉNFORCEMENT INF       | VERSTÄRKUNG UNTERE |         |
| 603  | 81002212/0 | 1    | SACCO, TELA      | BOX, FABRIC           | SAC, TOILE             | SACK, TUCK         |         |
| 604  | 12728680/0 | 2    | VITE             | SCREW                 | VIS                    | SCHRAUBE           |         |
| 605  | 12523050/0 | 2    | ROSETTA          | WASHER                | RONDELLE               | SCHEIBE            |         |
| 606  | 22600066/2 | 1    | PARASASSI        | STONE-GUARD           | PARE-PIERRES           | PRALLBLECH         |         |
| 607  | 22517857/0 | 1    | PERNO            | PIN                   | PIVOT                  | BOLZEN             |         |
| 608  | 22451000/0 | 1    | MOLLA            | SPRING                | RESSORT                | FEDER              |         |